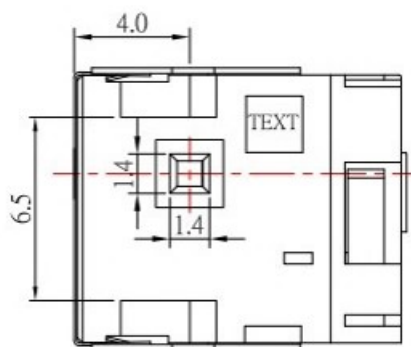
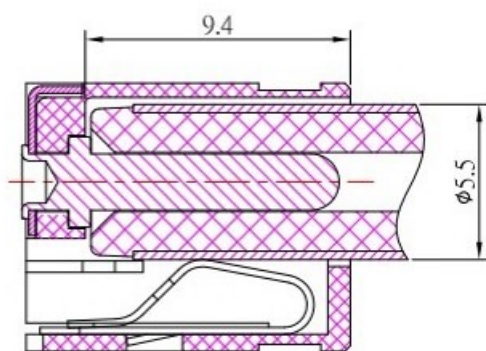


P.C.B LAYOUT
TOP VIEW

MODEL NO.	DC-S044KA-x-S124
SCHEMATIC	4 (5) 3 2
CENTER PIN	φ 2.0mm φ 2.5mm

SPECIFICATION

1. Rating : DC 30V 2.0A
2. Contact resistance : $\leq 50m\Omega$
3. Insulation resistance : $\geq 100M\Omega$
4. Withstand voltage : 500VAC
5. Insertion and extraction force : 5-25N
6. life test : 5,000 cycles



NO.	DESCRIPTION	QTY	MATERIAL	PLATING
⑦	COVER	1	SUS301	Ni-Plating
⑥	CONTACT FOOT	1	PHOSPHOR BRONZE	Ag-Plating
⑤	PIN	1	BRASS	Ni-Plating
④	CONTACT FOOT	1	BRASS	Ag-Plating
③	CURVE PIECE	1	BRASS	Ag-Plating
②	SPRING PIECE	1	SUS301	Ag-Plating
①	HOUSING	1	PA9T	
NO.	DESCRIPTION	QTY	MATERIAL	PLATING



东莞市高迪电子有限公司
Dong Guan KDRR Electronic Switch Jack Co., Ltd.

TOLERANCE UNLESS OTHERWISE STATED :
Up to 5 ±0.2
Above 5 - 15 ±0.3
Above 15 - 30 ±0.4
Above 30 - 50 ±0.5
Angle ±0.3

3RD. ANGEL'S

UNITS MM

DRAWN BY:	DATE	MAT'L	TITLE	JACK
Jack Lu	04/22/19			
CHECKED BY:	DATE	FINISH	MODLE	DC JACK
Jacky Chen	04/22/19			
APPROVED BY:	DATE	SCALE	DWG NO.	DC-S044KA-x-S124
Tony Kao	04/22/19	1 : 1		
		SHEET NO.	PART NO.	DC-S044KA-x-S124
		1 of 1		
			SIZE	A4
			VER	R2

ITEM NO.	DESCRIPTION	DRAWN	DATE
2	更新樣式	Lan	042219
1	更新為A0版	Jack	120716